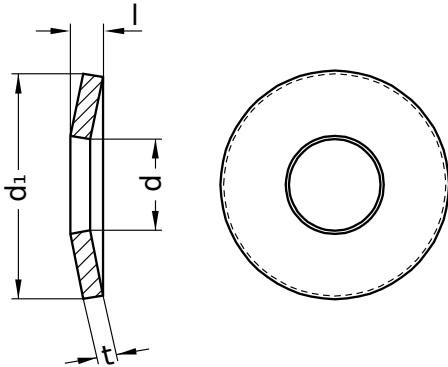


DIN 2093 C
Disc springs

Series C

Steel | bright | Cr(VI)-free



Diameter (d)	d ₁ nominal size	t nominal size	Length (l) nominal size
4.2	8	0.20	0.45
5.2	10	0.25	0.55
7.2	14	0.35	0.80
8.2	16	0.40	0.90
9.2	18	0.45	1.05
10.2	20	0.50	1.15
11.2	22.5	0.60	1.40
12.2	25	0.70	1.60
14.2	28	0.80	1.80
25.4	50	1.25	2.85
28.5	56	1.50	3.45
31	63	1.80	4.15
36	71	2.00	4.60
41	80	2.25	5.20
46	90	2.50	5.70

All technical data refer to the measure mm

