

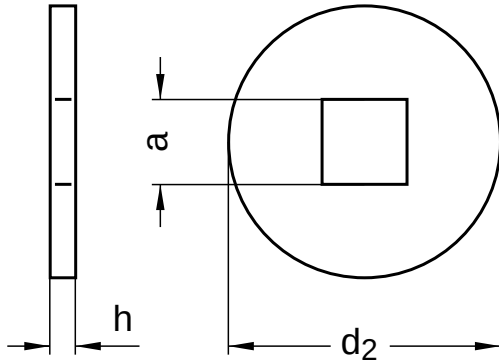
**DIN 440 V** similar to ISO 7094

## Washers

Form V: square hole

Steel | bright | Cr(VI)-free

Further information: DIN-standard has been withdrawn



Diameter (d)	a		d <sub>2</sub>		h		
	min.	max.	min.	max.	nominal size	min.	max.
6.6	6.6	6.96	20.7	22	2	1.7	2.3
9	9.0	9.36	26.7	28	3	2.4	3.6
11	11.0	11.43	32.4	34	3	2.4	3.6
22	22.0	22.84	70.1	72	6	5.0	7.0

All technical data refer to the measure mm

