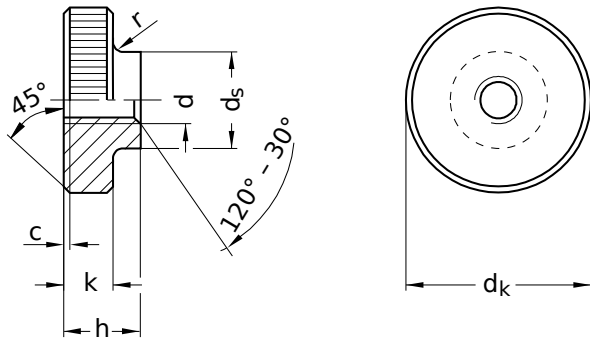


DIN 467
Knurled nuts

Low version

Steel 05 | zinc-plated | Cr(VI)-free | Metric thread



Diameter (d)	c	da		nominal size	dk		ds		h		k		r nominal size	Pitch (P)
		min.	max.		min.	max.	min.	max.	min.	max.				
M3	0.3	3	3.45	12	11.65	12.35	5.70	6	2.75	3	2.25	2.5	0.5	0.50
M4	0.4	4	4.60	16	15.65	16.35	7.64	8	3.70	4	3.20	3.5	0.5	0.70
M5	0.4	5	5.75	20	19.58	20.42	9.64	10	4.70	5	3.70	4.0	1	0.80
M6	0.5	6	6.75	24	23.58	24.42	11.57	12	5.70	6	4.70	5.0	1	1.00
M8	0.6	8	8.75	30	29.58	30.42	15.57	16	7.64	8	5.70	6.0	2	1.25
M10	0.8	10	10.80	36	35.50	36.50	19.48	20	9.64	10	7.64	8.0	2	1.50

All technical data refer to the measure mm

