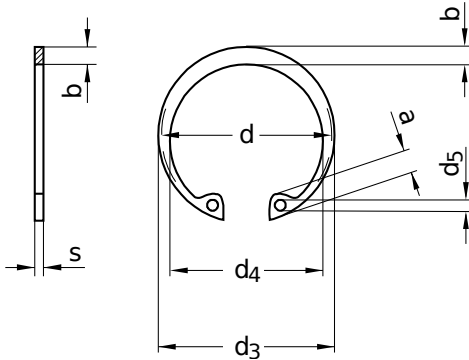


DIN 472

Lock rings

For drilling | regular version

Spring steel | bright | Cr(VI)-free



Diameter (d)	a max.	b	nominal size	d ₃		d ₄	d ₅	s	
				min.	max.			min.	max.
8	2.4	1.1	8.7	8.60	9.06	3.0	1.0	0.75	0.80
9	2.5	1.3	9.8	9.70	10.16	3.7	1.0	0.75	0.80
10	3.2	1.4	10.8	10.70	11.16	3.3	1.2	0.94	1.00
11	3.3	1.5	11.8	11.70	12.16	4.1	1.2	0.94	1.00
12	3.4	1.7	13	12.90	13.36	4.9	1.5	0.94	1.00
13	3.6	1.8	14.1	14.00	14.46	5.4	1.5	0.94	1.00
14	3.7	1.9	15.1	15.00	15.46	6.2	1.7	0.94	1.00
15	3.7	2.0	16.2	16.10	16.56	7.2	1.7	0.94	1.00
16	3.8	2.0	17.3	17.20	17.66	8.0	1.7	0.94	1.00
17	3.9	2.1	18.3	18.17	18.72	8.8	1.7	0.94	1.00
18	4.1	2.2	19.5	19.37	19.92	9.4	2.0	0.94	1.00
19	4.1	2.2	20.5	20.37	20.92	10.4	2.0	0.94	1.00
20	4.2	2.3	21.5	21.37	21.92	11.2	2.0	0.94	1.00
21	4.2	2.4	22.5	22.37	22.92	12.2	2.0	0.94	1.00
22	4.2	2.5	23.5	23.37	23.92	13.2	2.0	0.94	1.00
24	4.4	2.6	25.9	25.69	26.32	14.8	2.0	1.14	1.20
25	4.5	2.7	26.9	26.69	27.32	15.5	2.0	1.14	1.20
26	4.7	2.8	27.9	27.69	28.32	16.1	2.0	1.14	1.20
28	4.8	2.9	30.1	29.85	30.60	17.9	2.0	1.14	1.20
30	4.8	3.0	32.1	31.85	32.60	19.9	2.0	1.14	1.20
31	5.2	3.2	33.4	33.15	33.90	20.0	2.5	1.14	1.20
34	5.4	3.3	36.5	36.25	37.00	22.6	2.5	1.44	1.50
35	5.4	3.4	37.8	37.55	38.30	23.6	2.5	1.44	1.50
36	5.4	3.5	38.8	38.55	39.30	24.6	2.5	1.44	1.50
37	5.5	3.6	39.8	39.55	40.30	25.4	2.5	1.44	1.50
38	5.5	3.7	40.8	40.55	41.30	26.4	2.5	1.44	1.50
40	5.8	3.9	43.5	43.11	44.40	27.8	2.5	1.69	1.75
42	5.9	4.1	45.5	45.11	46.40	29.6	2.5	1.69	1.75
45	6.2	4.3	48.5	48.11	49.40	32.0	2.5	1.69	1.75
47	6.4	4.4	50.5	50.04	51.60	33.5	2.5	1.69	1.75
48	6.4	4.5	51.5	51.04	52.60	34.5	2.5	1.69	1.75

All technical data refer to the measure mm



DIN 472

Lock rings

For drilling | regular version

Spring steel | bright | Cr(VI)-free

Diameter (d)	a max.	b	nominal size	d ₃		d ₄	d ₅	s	
				min.	max.			min.	max.
50	6.5	4.6	54.2	53.74	55.30	36.3	2.5	1.93	2.00
52	6.7	4.7	56.2	55.74	57.30	37.9	2.5	1.93	2.00
55	6.8	5.0	59.2	58.74	60.30	40.7	2.5	1.93	2.00
56	6.8	5.1	60.2	59.74	61.30	41.7	2.5	1.93	2.00
58	6.9	5.2	62.2	61.74	63.30	43.5	2.5	1.93	2.00
60	7.3	5.4	64.2	63.74	65.30	44.7	2.5	1.93	2.00
62	7.3	5.5	66.2	65.74	67.30	46.7	2.5	1.93	2.00
63	7.3	5.6	67.2	66.74	68.30	47.7	2.5	1.93	2.00
65	7.6	5.8	69.2	68.74	70.30	49.0	3.0	2.43	2.50
68	7.8	6.1	72.5	72.04	73.60	51.6	3.0	2.43	2.50
70	7.8	6.2	74.5	74.04	75.60	53.6	3.0	2.43	2.50
72	7.8	6.4	76.5	76.04	77.60	55.6	3.0	2.43	2.50
75	7.8	6.6	79.5	79.04	80.60	58.6	3.0	2.43	2.50
78	8.5	6.8	82.5	81.96	83.80	60.1	3.0	2.43	2.50
80	8.5	7.0	85.5	84.96	86.80	62.1	3.0	2.43	2.50
82	8.5	7.0	87.5	86.96	88.80	64.1	3.0	2.43	2.50
85	8.6	7.2	90.5	89.96	91.80	66.9	3.5	2.92	3.00
88	8.6	7.4	93.5	92.96	94.80	69.9	3.5	2.92	3.00
90	8.6	7.6	95.5	94.96	96.80	71.9	3.5	2.92	3.00
92	8.7	7.8	97.5	96.96	98.80	73.7	3.5	2.92	3.00
95	8.8	8.1	100.5	99.96	101.80	76.5	3.5	2.92	3.00
98	9.0	8.3	103.5	102.96	104.80	79.0	3.5	2.92	3.00
100	9.2	8.4	105.5	104.96	106.80	80.6	3.5	2.92	3.00
105	9.5	8.7	112	111.46	113.30	85.0	3.5	3.90	4.00
108	9.5	8.9	115	114.46	116.30	88.0	3.5	3.90	4.00
110	10.4	9.0	117	116.46	118.30	88.2	3.5	3.90	4.00
112	10.5	9.1	119	118.46	120.30	90.0	3.5	3.90	4.00
115	10.5	9.3	122	121.37	123.50	93.0	3.5	3.90	4.00
120	11.0	9.7	127	126.37	128.50	96.9	3.5	3.90	4.00
125	11.0	10.0	132	131.37	133.50	101.9	4.0	3.90	4.00
130	11.0	10.2	137	136.37	138.50	106.9	4.0	3.90	4.00
135	11.2	10.5	142	141.37	143.50	111.5	4.0	3.90	4.00
140	11.2	10.7	147	146.37	148.50	116.5	4.0	3.90	4.00
145	11.4	10.9	152	151.37	153.50	121.0	4.0	3.90	4.00
150	12.0	11.2	158	157.37	159.50	124.8	4.0	3.90	4.00
155	12.0	11.4	164	163.37	165.50	129.8	4.0	3.90	4.00
160	13.0	11.6	169	168.37	170.50	132.7	4.0	3.90	4.00
165	13.0	11.8	174.5	173.87	176.00	137.7	4.0	3.90	4.00
170	13.5	12.2	179.5	178.87	181.00	141.6	4.0	3.90	4.00
175	13.5	12.7	184.5	183.78	186.20	146.6	4.0	3.90	4.00
180	14.2	13.2	189.5 189.5	188.78	191.20	150.2	4.0	3.90	4.00
190	14.2	13.8	199.5	198.78	201.20	160.2	4.0	3.90	4.00
195	14.2	13.8	204.5	203.78	206.20	165.2	4.0	3.90	4.00
200	14.2	14.0	209.5	208.78	211.20	170.2	4.0	3.90	4.00
210	14.2	14.0	222	221.28	223.70	180.2	4.0	4.88	5.00
220	14.2	14.0	232	231.28	233.70	190.2	4.0	4.88	5.00
230	14.2	14.0	242	241.28	243.70	200.2	4.0	4.88	5.00
240	14.2	14.0	252	251.19	254.00	210.2	4.0	4.88	5.00
250	14.2	14.0	262	261.19	264.00	220.2	4.0	4.88	5.00
260	16.2	16.0	275	274.19	277.00	226.0	5.0	4.88	5.00
280	16.2	16.0	295	294.19	297.00	246.0	5.0	4.88	5.00

All technical data refer to the measure mm

