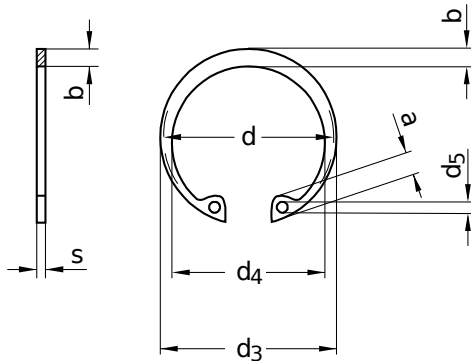


DIN 472

Lock rings

For drilling | regular version

Spring steel | zinc-plated | Cr(VI)-free



Diameter (d)	a max.	b	d ₃			d ₄	d ₅
			nominal size	min.	max.		
16	3.8	2.0	17.3	17.20	17.66	8.0	1.7
18	4.1	2.2	19.5	19.37	19.92	9.4	2.0
24	4.4	2.6	25.9	25.69	26.32	14.8	2.0
26	4.7	2.8	27.9	27.69	28.32	16.1	2.0
30	4.8	3.0	32.1	31.85	32.60	19.9	2.0
32	5.4	3.2	34.4	34.15	34.90	20.6	2.5
35	5.4	3.4	37.8	37.55	38.30	23.6	2.5
40	5.8	3.9	43.5	43.11	44.40	27.8	2.5
42	5.9	4.1	45.5	45.11	46.60	29.6	2.5
47	6.4	4.4	50.5	50.04	51.60	33.5	2.5
52	6.7	4.7	56.2	55.74	57.30	37.9	2.5
55	6.8	5.0	59.2	58.74	60.30	40.7	2.5
62	7.3	5.5	66.2	65.74	67.30	46.7	2.5
68	7.8	6.1	72.5	72.04	73.60	51.6	3.0
75	7.8	6.6	79.5	79.04	80.60	58.6	3.0
80	8.5	7.0	85.5	84.96	86.80	62.1	3.0
85	8.6	7.2	90.5	89.96	91.80	66.9	3.5

All technical data refer to the measure mm

