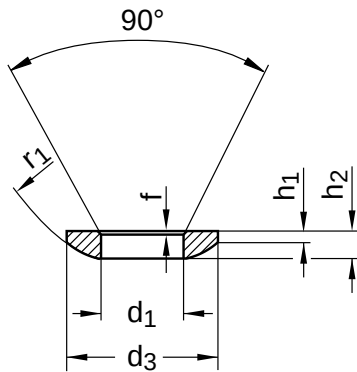


DIN 6319 C
Spherical washers

Form C | hardened

Steel | bright | Cr(VI)-free



Diameter (d)	d ₁ nominal size	d ₃ nominal size	f	h ₁ nominal size	h ₂ nominal size	r ₁ nominal size
6.4	6.4	12	0.3	0.7	2.3	9
8.4	8.4	17	0.5	0.6	3.2	12
10.5	10.5	21	0.5	0.8	4.0	15
13	13	24	0.5	1.1	4.6	17
17	17	30	0.5	1.3	5.3	22
21	21	36	0.5	2.0	6.3	27
25	25	44	0.8	2.4	8.2	32
31	31	56	0.8	3.6	11.2	41
37	37	68	1.0	4.6	14.0	50
43	43	78	1.0	6.5	17.0	58

All technical data refer to the measure mm

