

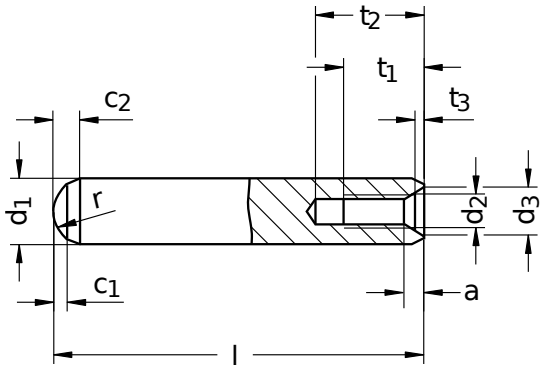
DIN 7979 D similar to ISO 8735

Parallel pins

Version D: hardened | with internal thread

Steel | bright | Cr(VI)-free

Further information: DIN-standard has been withdrawn



Diameter (d)	a	c ₁	c ₂	d ₁ nominal size	d ₂ nominal size	d ₃ nominal size	t ₂ min.	t ₁ nominal size	t ₃ max.
5	0.6	0.5	1.7	5	M3	–	7	6	1.0
6	0.8	0.6	2.1	6	M4	4.3	10	6	1.0
8	1.0	0.8	2.6	8	M5	5.3	12	8	1.2
10	1.2	1.0	3.0	10	M6	6.4	16	10	1.2
12	1.6	1.2	3.8	12	M6	6.4	16	10	1.2
14	1.8	1.4	4.0	14	M8	8.4	20	12	1.2
16	2.0	1.6	4.7	16	M8	8.4	20	12	1.5
20	2.5	2.0	6.0	20	M10	10.5	25	16	1.5
25	3.0	2.5	6.0	25	M16	17	34	24	2.0
30	4.0	3.0	7.0	30	M20	21	42	30	2.0

nominal size	Length (l)	
	min.	max.
10	9.71	10.29
12	11.65	12.35
16	15.65	16.35
18	17.65	18.35
20	19.58	20.42
22	21.58	22.42
24	23.58	24.42
26	25.58	26.42
28	27.58	28.42
30	29.58	30.42

nominal size	Length (l)	
	min.	max.
32	31.50	32.50
36	35.50	36.50
40	39.50	40.50
45	44.50	45.50
50	49.50	50.50
55	54.40	55.60
60	59.40	60.60
70	69.40	70.60
80	79.40	80.60
90	89.30	90.70

nominal size	Length (l)	
	min.	max.
100	99.30	100.70
120	119.30	120.70
130	129.20	130.80
140	139.20	140.80
160	159.20	160.80

All technical data refer to the measure mm



DIN 7979 D similar to ISO 8735

Parallel pins

Version D: hardened | with internal thread

Steel | bright | Cr(VI)-free

Diameter (d)	Length (l)																									
	10	12	16	18	20	22	24	26	28	30	32	36	40	45	50	55	60	70	80	90	100	120	130	140	160	
5	●	●	●	●	●		●		●	●	●		●		●											
6	●	●	●	●	●	●	●		●	●	●	●	●	●	●	●	●									
8			●	●	●		●	●	●	●	●	●	●	●	●	●	●	●	●	●						
10					●		●		●	●	●	●	●	●	●	●	●	●	●	●	●	●				
12							●		●	●	●	●	●	●	●		●	●	●	●	●	●	●			
14											●		●		●		●	●	●	●	●	●				
16											●	●	●	●	●	●	●	●	●	●	●	●	●	●		
20												●	●	●	●	●	●	●	●	●	●	●	●	●	●	●
25															●		●	●	●	●	●	●				
30																				●						

• Combinations available in the eShop | Other sizes on request

All technical data refer to the measure mm

