

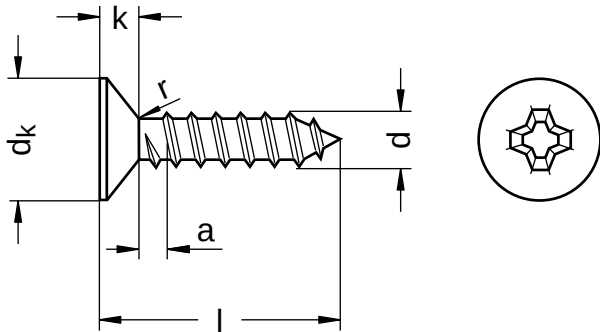
DIN 7982 similar to ISO 7050

Tapping screws

Countersunk head | cross-slot phillips | form C with cone point

Stainless steel A2 | Cr(VI)-free | Thread type ST (sheet metal)

Further information: DIN-standard has been withdrawn | changed head measurements with ISO norm



Diameter (d)	a		dk		k nominal size	r max.	Pitch (P)	Tool size
	max.	min.	max.	max.				
2.2	0.8	4.00	4.3	1.3	0.8	0.8	H1	
2.9	1.1	5.20	5.5	1.7	1.1	1.1	H1	
3.5	1.3	6.44	6.8	2.1	14.0	1.3	H2	
3.9	1.3	7.14	7.5	2.3	1.5	1.3	H2	
4.2	1.4	7.74	8.1	2.5	1.8	1.4	H2	
4.8	1.6	9.14	9.5	3.0	1.9	1.6	H2	
5.5	1.8	10.37	10.8	3.4	2.1	1.8	H3	
6.3	1.8	11.97	12.4	3.8	2.4	1.8	H3	

nominal size	Length (l)	
	min.	max.
6.5	5.7	7.3
9.5	8.7	10.3
13.0	12.2	13.8
16.0	15.2	16.8
19.0	18.2	19.8
22.0	21.2	22.8

nominal size	Length (l)	
	min.	max.
25.0	24.2	25.8
32.0	30.7	33.3
38.0	36.7	39.3
60.0	58.7	61.3

All technical data refer to the measure mm



DIN 7982 similar to ISO 7050

Tapping screws

Countersunk head | cross-slot phillips | form C with cone point

Stainless steel A2 | Cr(VI)-free | Thread type ST (sheet metal)

Diameter (d)	Length (l)									
	6.5	9.5	13	16	19	22	25	32	38	60
2.2	●	●	●	●						
2.9	●	●	●	●	●					
3.5	●	●	●	●	●	●	●			
3.9		●	●	●	●	●	●	●		
4.2		●	●	●	●	●	●	●		
4.8		●	●	●	●	●	●	●	●	●
5.5			●	●	●	●	●	●	●	●
6.3			●	●	●	●	●	●	●	

• Combinations available in the eShop | Other sizes on request

All technical data refer to the measure mm

