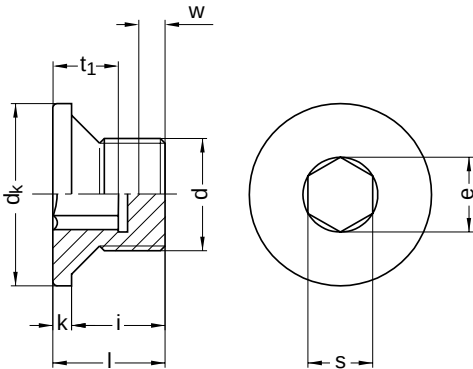


DIN 908

Locking screws

Cylinder head with flange | hexagon socket

Steel | zinc-plated, thick-film passivated (VZD) | Cr(VI)-free | Cylindrical metric fine thread



Diameter (d)	d _k nominal size	i	k		e min.	s nominal size	Pitch (P)	t ₁ min.	w min.	Tool size	Length (l) nominal size
			min.	max.							
M10 x 1	14	8	3	3.5	5.7	5	1.0	5.0	3	SW 5	11
M12 x 1.5	17	12	3	3.5	6.9	6	1.5	7.0	3	SW 6	15
M14 x 1.5	19	12	3	3.5	6.9	6	1.5	7.0	3	SW 6	15
M16 x 1.5	21	12	3	3.5	9.2	8	1.5	7.5	3	SW 8	15
M18 x 1.5	23	12	4	4.5	9.2	8	1.5	7.5	3	SW 8	16
M20 x 1.5	25	14	4	4.5	11.4	10	1.5	7.5	4	SW 10	18
M22 x 1.5	27	14	4	4.5	11.4	10	1.5	7.5	4	SW 10	18
M24 x 1.5	29	14	4	4.5	13.7	12	1.5	7.5	4	SW 12	18
M26 x 1.5	31	16	4	4.5	13.7	12	1.5	9.0	4	SW 12	20
M30 x 1.5	36	16	4	4.5	19.4	17	1.5	9.0	4	SW 17	20
M36 x 1.5	42	16	5	5.5	21.7	19	1.5	10.5	4	SW 19	21
M38 x 1.5	44	16	5	5.5	21.7	19	1.5	10.5	4	SW 19	21
M42 x 1.5	49	16	5	5.5	25.2	22	1.5	10.5	4	SW 22	21
M45 x 1.5	52	16	5	5.5	25.2	22	1.5	10.5	4	SW 22	21
M48 x 1.5	55	16	5	5.5	27.4	24	1.5	10.5	4	SW 24	21

All technical data refer to the measure mm

