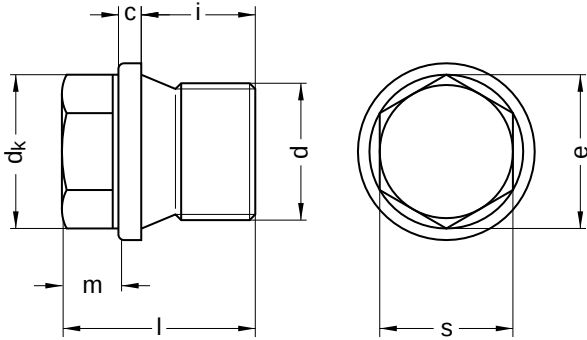


DIN 910
Locking screws

Hexagon head with flange

Stainless steel A2 | Cr(VI)-free | Cylindrical pipe thread



Diameter (d)	c		d _k nominal size	i	m nominal size	e min.	s nominal size	Tool size
	nominal size	max.						
G 1/8	3	3.5	14	8	6	10.89	10	SW 10
G 1/4	3	3.5	18	12	6	14.20	13	SW 13
G 3/8	3	3.5	22	12	6	17.59	16	SW 17
G 1/2	4	4.5	26	14	8	19.85	18	SW 19
G 3/4	4	4.5	32	16	10	26.17	24	SW 24
G 1 1/4	5	5.5	49	16	12	32.95	30	SW 30
G 1 1/2	5	5.5	55	16	12	32.95	30	SW 30

Length (l) nominal size
17
21

Length (l) nominal size
26
30
33

All technical data refer to the measure mm

Diameter (d)	Length (l)				
	17	21	26	30	33
G 1/8	●				
G 1/4		●			
G 3/8		●			
G 1/2			●		
G 3/4				●	
G 1 1/4					●
G 1 1/2					●

• Combinations available in the eShop | Other sizes on request

