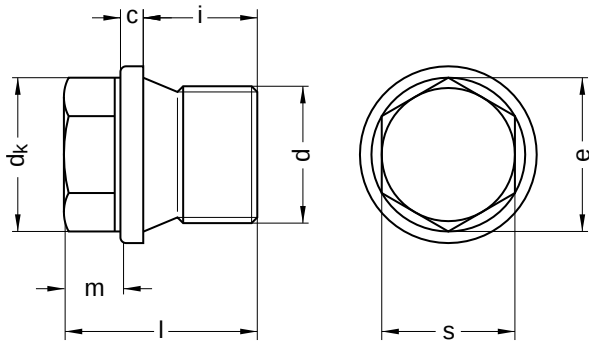


DIN 910
Locking screws

Hexagon head with flange

Brass | Cr(VI)-free | Cylindrical metric fine thread



Diameter (d)	c		d _k nominal size	i	m nominal size	e min.	s nominal size	Pitch (P)	Tool size
	nominal size	max.							
M10 x 1	3	3.5	14	8	6	10.89	10	1.0	SW 10
M12 x 1.5	3	3.5	17	12	6	14.20	13	1.5	SW 13
M14 x 1.5	3	3.5	19	12	6	14.20	13	1.5	SW 13
M16 x 1.5	3	3.5	21	12	6	17.59	16	1.5	SW 17
M20 x 1.5	4	4.5	25	14	8	19.85	18	1.5	SW 19
M22 x 1.5	4	4.5	27	14	8	19.85	18	1.5	SW 19
M24 x 1.5	4	4.5	29	14	9	22.78	21	1.5	SW 22
M30 x 1.5	4	4.5	36	16	10	26.17	24	1.5	SW 24
M36 x 1.5	5	5.5	42	16	11	29.56	27	1.5	SW 27
M42 x 1.5	5	5.5	49	16	12	32.95	30	1.5	SW 30

Length (l) nominal size
17
21
26
27

Length (l) nominal size
30
32
33

All technical data refer to the measure mm



DIN 910

Locking screws

Hexagon head with flange

Brass | Cr(VI)-free | Cylindrical metric fine thread

Diameter (d)	Length (l)						
	17	21	26	27	30	32	33
M10 x 1	●						
M12 x 1.5		●					
M14 x 1.5		●					
M16 x 1.5		●					
M20 x 1.5			●				
M22 x 1.5			●				
M24 x 1.5				●			
M30 x 1.5					●		
M36 x 1.5						●	
M42 x 1.5							●

• Combinations available in the eShop | Other sizes on request

All technical data refer to the measure mm

