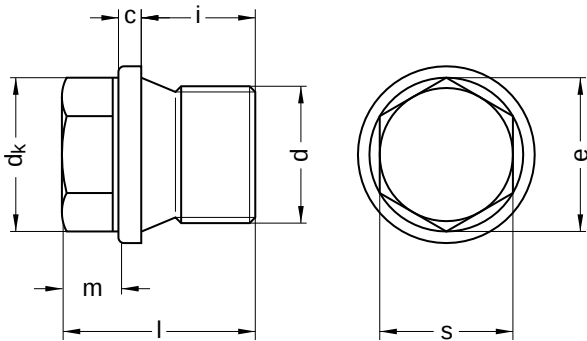


DIN 910
Locking screws

Hexagon head with flange

Steel | bright | Cr(VI)-free | Cylindrical pipe thread



| Diameter (d) | c | | dk nominal size | i | m nominal size | e min. | s nominal size | Tool size |
|-----------------|--------------|------|--------------------|----|-------------------|-----------|-------------------|--------------|
| | nominal size | max. | | | | | | |
| G 1/8 A | 3 | 3.5 | 14 | 8 | 6 | 10.89 | 10 | SW 10 |
| G 1/4 A | 3 | 3.5 | 18 | 12 | 6 | 14.20 | 13 | SW 13 |
| G 3/8 A | 3 | 3.5 | 22 | 12 | 6 | 17.59 | 16 | SW 17 |
| G 1/2 A | 4 | 4.5 | 26 | 14 | 8 | 19.85 | 18 | SW 19 |
| G 3/4 A | 4 | 4.5 | 32 | 16 | 10 | 26.17 | 24 | SW 24 |
| G 1 A | 5 | 5.5 | 39 | 16 | 11 | 29.56 | 27 | SW 27 |
| G 1 1/8 A | 5 | 5.5 | 44 | 16 | 11 | 29.56 | 27 | SW 27 |
| G 1 1/4 A | 5 | 5.5 | 49 | 16 | 12 | 32.95 | 30 | SW 30 |
| G 1 1/2 A | 5 | 5.5 | 55 | 16 | 12 | 32.95 | 30 | SW 30 |
| G 1 3/4 A | 5 | 5.5 | 62 | 20 | 15 | 39.55 | 36 | SW 36 |
| G 2 A | 5 | 5.5 | 68 | 20 | 15 | 39.55 | 36 | SW 36 |

| Length (l) nominal size |
|----------------------------|
| 17 |
| 21 |
| 26 |
| 30 |

| Length (l) nominal size |
|----------------------------|
| 32 |
| 33 |
| 40 |

All technical data refer to the measure mm



DIN 910

Locking screws

Hexagon head with flange

Steel | bright | Cr(VI)-free | Cylindrical pipe thread

| Diameter (d) | Length (l) | | | | | | |
|-----------------|------------|----|----|----|----|----|----|
| | 17 | 21 | 26 | 30 | 32 | 33 | 40 |
| G 1/8 A | ● | | | | | | |
| G 1/4 A | | ● | | | | | |
| G 3/8 A | | ● | | | | | |
| G 1/2 A | | | ● | | | | |
| G 3/4 A | | | | ● | | | |
| G 1 A | | | | | ● | | |
| G 1 1/8 A | | | | | | ● | |
| G 1 1/4 A | | | | | | | ● |
| G 1 1/2 A | | | | | | | ● |
| G 1 3/4 A | | | | | | | ● |
| G 2 A | | | | | | | ● |

• Combinations available in the eShop | Other sizes on request

All technical data refer to the measure mm

