

E 5451

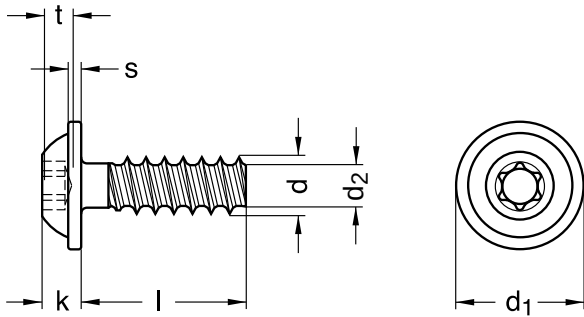
EJOT®-Delta PT-screws

Raised countersunk head with pressed-on washer | torx plus /autosert drive

Steel 10 | zinc-plated | Cr(VI)-free | Self-tapping thread

Further information: For further information and CAD-files please follow the link to the EJOT-homepage:

<http://www.ejot.com/industry>



Diameter (d)	d ₁	d ₂	k	s	Pitch (P)	t		Tool size
	max.	nominal size	nominal size	nominal size		max.	min.	
2	4.5	1.36	1.6	0.6	0.78	0.85	0.65	T6
M2.2	5.0	1.51	1.6	0.6	0.85	0.85	0.65	T6
M2.5	5.5	1.72	1.9	0.7	0.95	1.00	0.80	T8
3	6.5	2.09	2.3	0.8	1.12	1.30	1.00	T10
M3.5	7.5	2.45	2.7	0.9	1.29	1.50	1.10	T15
4	9.0	2.81	3.1	1.0	1.46	1.80	1.40	T20
M4.5	10.0	3.17	3.2	1.1	1.63	1.80	1.40	T20
5	11.0	3.53	3.5	1.2	1.80	1.90	1.50	T25
6	13.5	4.26	4.2	1.4	2.14	2.40	1.90	T30

nominal size	Length (l)	
	min.	max.
5	4.62	5.38
6	5.62	6.38
7	6.55	7.45
8	7.55	8.45
9	8.55	9.45
10	9.55	10.45
11	10.45	11.55
12	11.45	12.55

nominal size	Length (l)	
	min.	max.
14	13.45	14.55
16	15.45	16.55
18	17.45	18.55
20	19.35	20.65
22	21.35	22.65
25	24.35	25.65
30	29.35	30.65

All technical data refer to the measure mm



E 5451

EJOT®-Delta PT-screws

Raised countersunk head with pressed-on washer | torx plus /autosert drive

Steel 10 | zinc-plated | Cr(VI)-free | Self-tapping thread

Diameter (d)	Length (l)															
	5	6	7	8	9	10	11	12	14	16	18	20	22	25	30	
2	●	●														
M2.2	●	●		●		●										
M2.5	●	●	●	●		●	●	●						●		
3		●		●		●		●	●	●	●	●			●	●
M3.5				●		●		●		●		●			●	●
4				●		●		●	●	●	●	●			●	
M4.5					●											
5									●	●	●	●	●		●	●
6										●	●	●	●		●	●

• Combinations available in the eShop | Other sizes on request

All technical data refer to the measure mm

