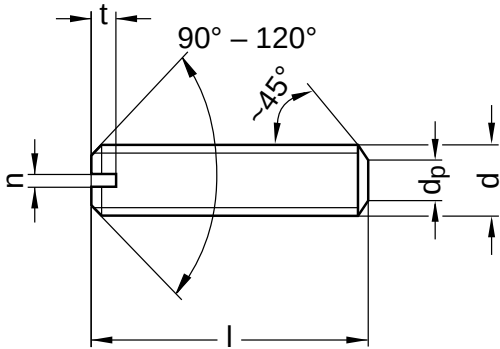


ISO 4766 similar to DIN 551

Set screws

With slot and chamfer end

Steel 14 H | bright | Cr(VI)-free | Metric thread



Diameter (d)	d _p		nominal size	n		Pitch (P)	t	
	min.	max.		min.	max.		max.	min.
M3	1.75	2.0	0.4	0.46	0.60	0.50	1.05	0.80
M4	2.25	2.5	0.6	0.66	0.80	0.70	1.42	1.12
M5	3.20	3.5	0.8	0.86	1.00	0.80	1.63	1.28
M6	3.70	4.0	1.0	1.06	1.20	1.00	2.00	1.60
M8	5.20	5.5	1.2	1.26	1.51	1.25	2.50	2.00
M10	6.64	7.0	1.6	1.66	1.91	1.50	3.00	2.40
M12	8.14	8.5	2.0	2.06	2.31	1.75	3.60	2.80

nominal size	Length (l)	
	min.	max.
3	2.8	3.2
4	3.7	4.3
5	4.7	5.3
6	5.7	6.3
8	7.7	8.3
10	9.7	10.3
12	11.6	12.4
16	15.6	16.4
20	19.6	20.4
25	24.6	25.4

nominal size	Length (l)	
	min.	max.
30	29.6	30.4
35	34.5	35.5
40	39.5	40.5
45	44.5	45.5
50	49.5	50.5
55	54.4	55.6
60	59.4	60.6

All technical data refer to the measure mm



ISO 4766 similar to DIN 551

Set screws

With slot and chamfer end

Steel 14 H | bright | Cr(VI)-free | Metric thread

Diameter (d)	Length (l)																
	3	4	5	6	8	10	12	16	20	25	30	35	40	45	50	55	60
M3	●	●	●	●	●	●	●	●									
M4		●	●	●	●	●	●	●	●								
M5			●	●	●	●	●	●	●	●							
M6				●	●	●	●	●	●	●	●						
M8				●	●	●	●	●	●	●	●	●					
M10						●	●	●	●	●	●	●	●				
M12							●	●	●	●	●	●	●	●			

• Combinations available in the eShop | Other sizes on request

All technical data refer to the measure mm

