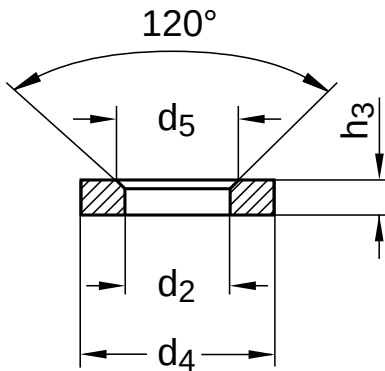


**DIN 6319 G**

**Conical cups**

Form G:  $d_4 > d_3$  | for long slots

Steel | bright | Cr(VI)-free



Diameter (d)	d <sub>2</sub> nominal size	d <sub>4</sub>	d <sub>5</sub>	h <sub>3</sub> nominal size
12	12	30	18.5	5
14.2	14.2	36	20.0	6
19	19	40	26.0	6
23.2	23.2	44	31.0	7
28	28	50	37.0	8

All technical data refer to the measure mm

