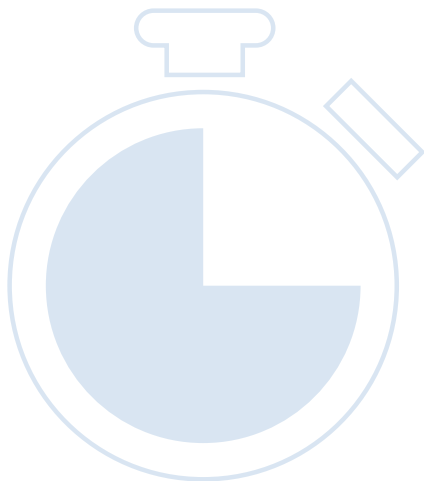
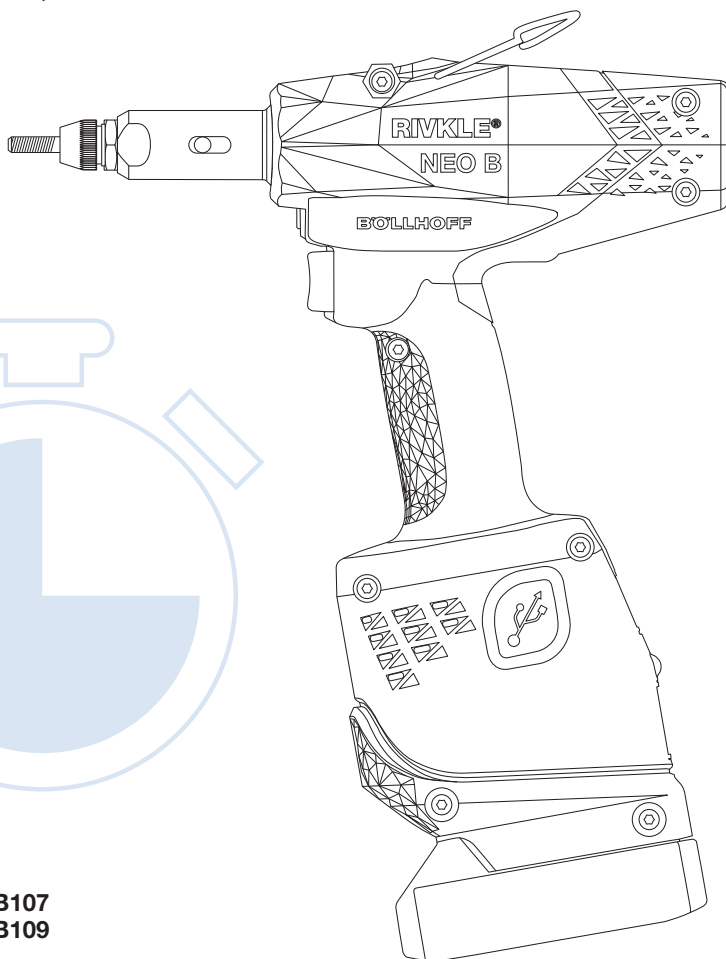


# BÖLLHOFF

## RIVKLE® NEO B QUICK START



**RIVKLE® NEO B107**  
**RIVKLE® NEO B109**

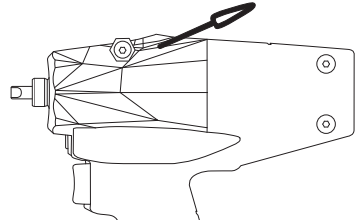
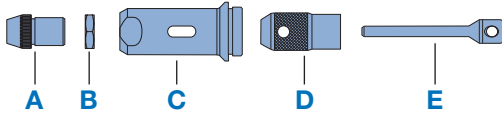
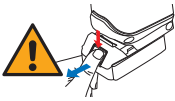


Technical forum

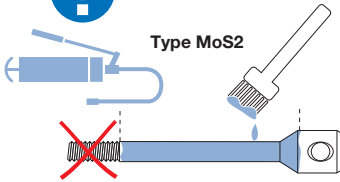


236 499 00 022

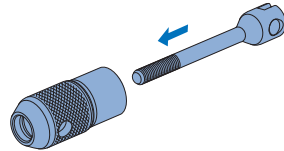
1



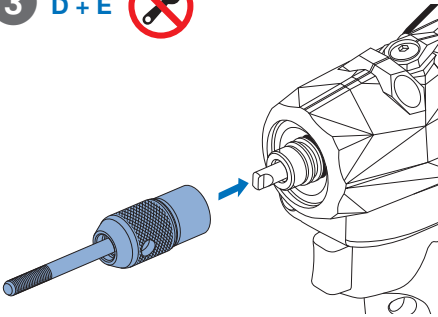
1 E



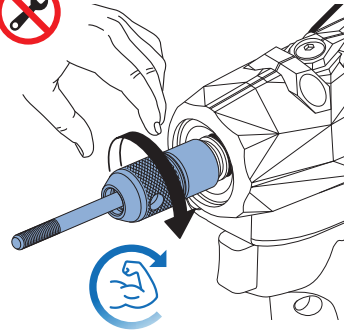
2 D + E



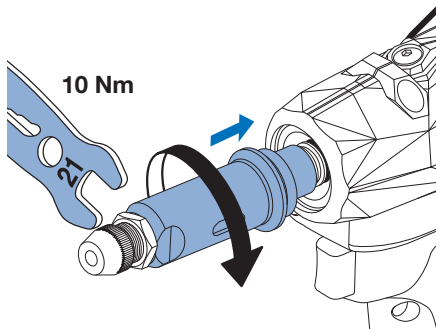
3 D + E



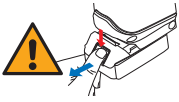
4



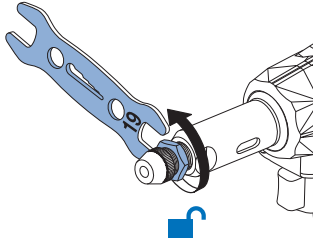
5 10 Nm



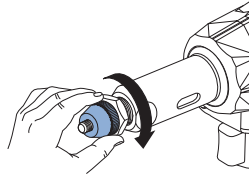
2



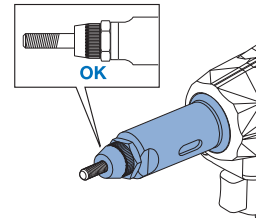
1 B



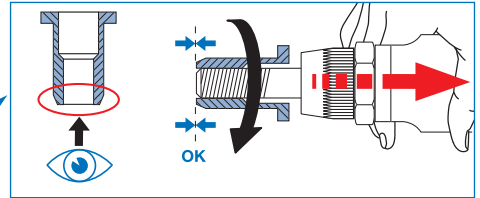
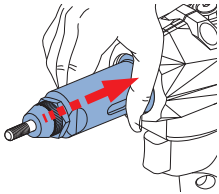
2 A



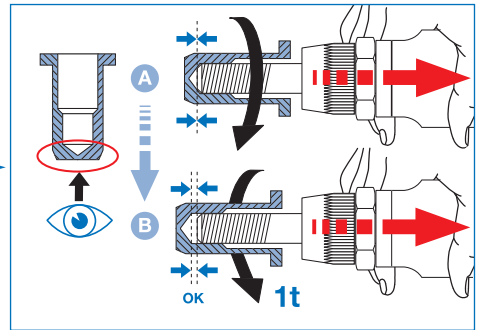
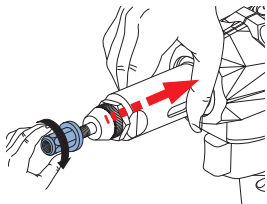
3 A+B+C



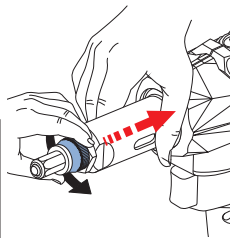
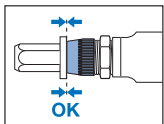
4



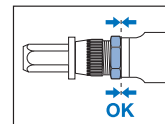
5



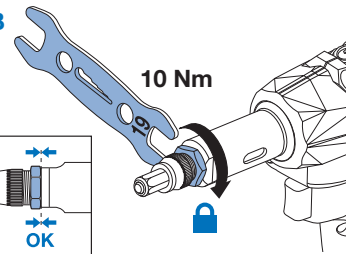
6 A

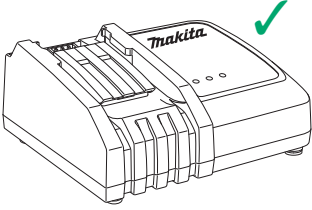


7 B

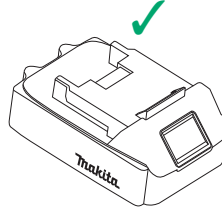


10 Nm

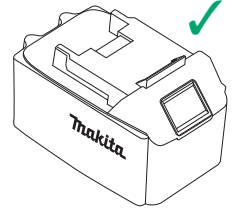




DC18RC



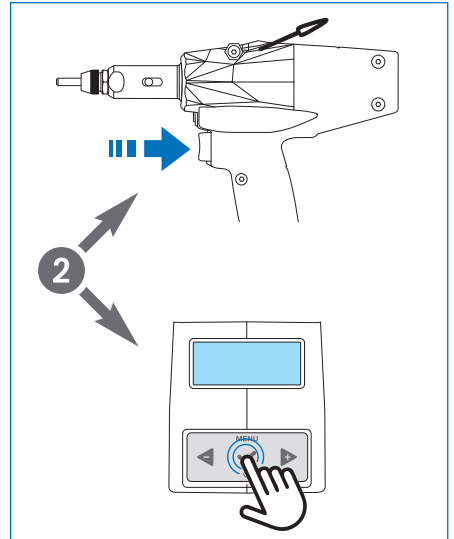
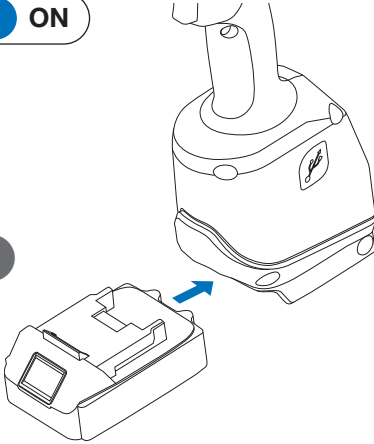
BL1815N  
(18v - 1,5Ah)



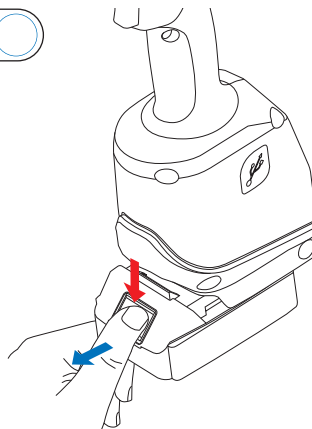
BL1830B  
(18v - 3,0Ah)

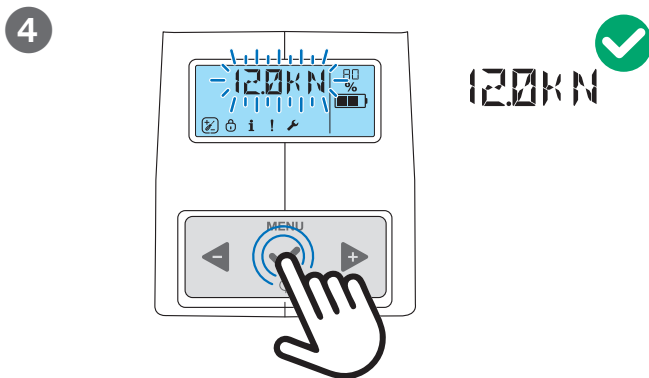
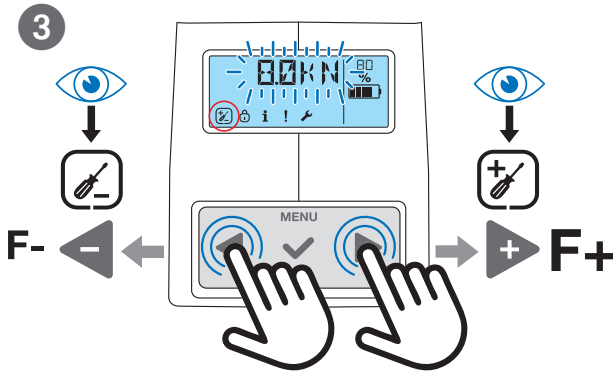
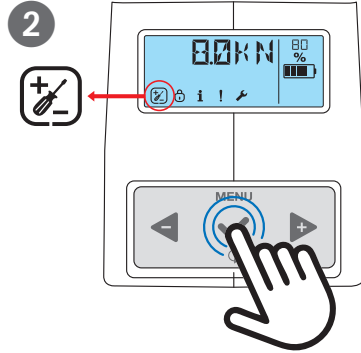
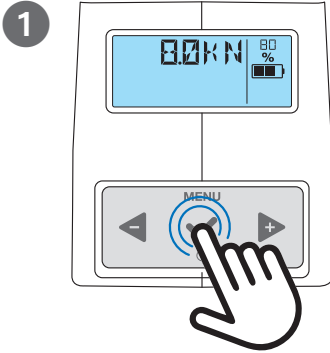
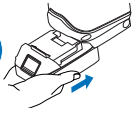
**ON**

1

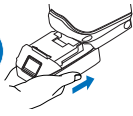


**OFF**

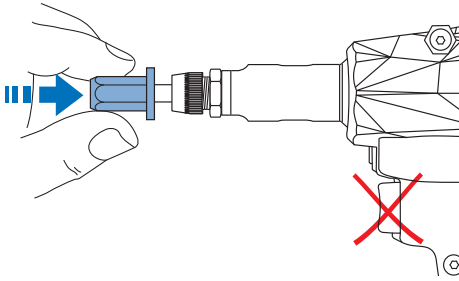




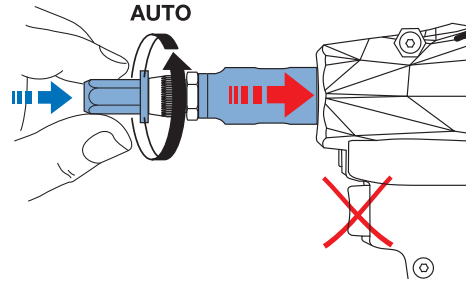
5



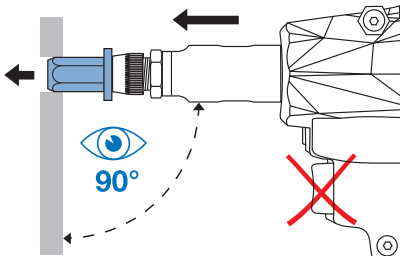
1



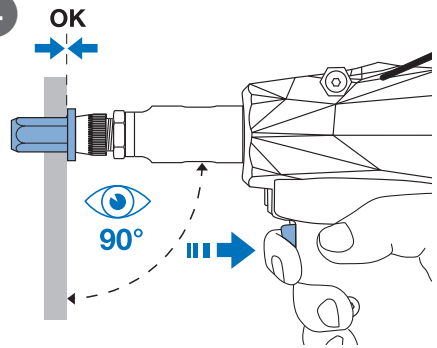
2



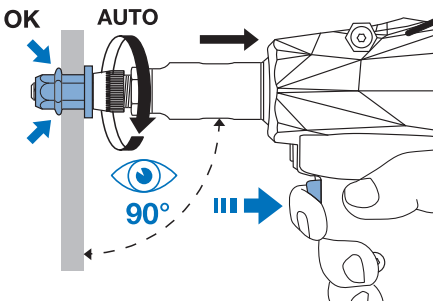
3



4



5



6

