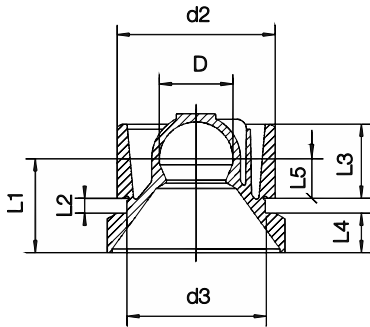


SNAPLOC® Coupling

With collar for mounting dome - High temperature applications



Article number	d ₂ nominal size	Depth (L ₁)	Colour	Ball diameter (D)	d ₃ nominal size	d ₄	Hardness	L ₃	L ₄	L ₅	Material thickness (L ₂)
40400100030	24	16	black	10	22	32	70 Shore A	12	7	6	3

All technical data refer to the measure mm

